

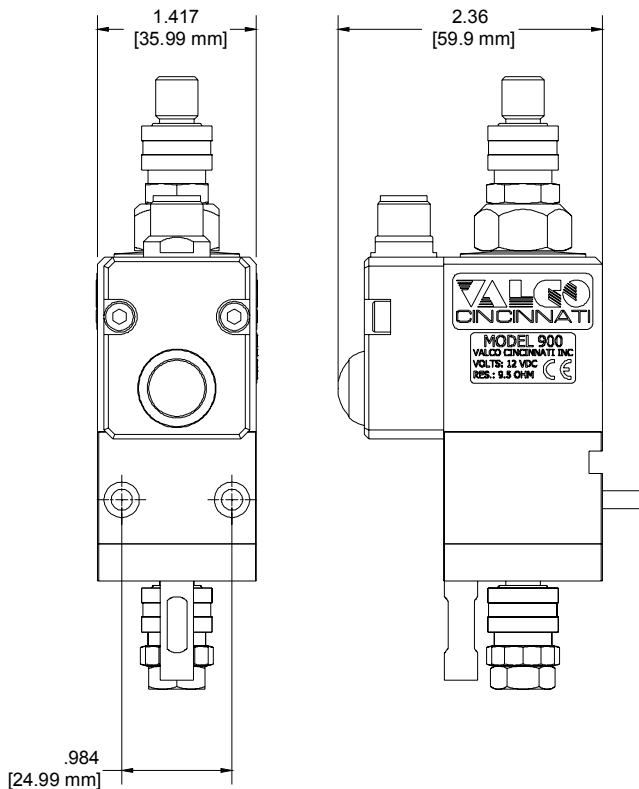
## 900 Series Valve Features

- All electric operation, no compressed air required
- High-flow capabilities for direct-contact extrusion applications
- No dynamic seals for enhanced service life, even under high-cycle rate conditions
- Ceramic seat and carbide-tipped plunger assembly
- Hardened tool-steel, Titanium-coated applicator heads are available in various pattern widths and feature quick-disconnect for fast changeover
- Compatible with high-viscosity adhesives for consistent, accurate glue patterns at high machine speeds

## 900 Series, Solenoid-operated Glue Valve

704xx874	900 solenoid-operated glue valve, Viton
707xx218	900 ECT non-contact, solenoid-operated glue valve, Viton
704xx640	900 solenoid-operated glue valve, EP
707xx641	900 ECT non-contact, solenoid-operated glue valve, EP

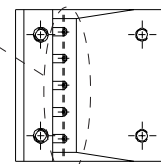
(Applicator heads sold separately.)



## Applicator Head Options

- 661xx002 Applicator head, 1/4 in. (6.35mm) pattern width, two 0.040 veins on 1/4 in. (6.35mm) centers, includes 1 pattern shim
- 661xx102 Same as above, 1.5mm veins
- 661xx003 Applicator head, 1/2 in. (12.70mm) pattern width, three 0.040 veins on 1/4 in. (6.35mm) centers, includes 1 pattern shim
- 661xx103 Same as above, 1.5mm veins
- 661xx004 Applicator head, 3/4 in. (19.05mm) pattern width, four 0.040 veins on 1/4 in. (6.35mm) centers, includes 1 pattern shim
- 661xx104 Same as above, 1.5mm veins
- 661xx005 Applicator head, 1 in. (25.40mm) pattern width, five 0.040 veins on 1/4 in. (6.35mm) centers, includes 1 pattern shim
- 661xx105 Same as above, 1.5mm veins
- 661xx006 Applicator head, 1-1/4 in. (31.75mm) pattern width, six 0.040 veins on 1/4 in. (6.35mm) centers, includes 1 pattern shim
- 661xx106 Same as above, 1.5mm veins
- 661xx007 Applicator head, 1-1/2 in. (38.10mm) pattern width, seven 0.040 veins on 1/4 in. (6.35mm) centers, includes 1 pattern shim
- 661xx107 Same as above, 1.5mm veins
- 661xx008 Applicator head, 1-3/4 in. (44.45mm) pattern width, eight 0.040 veins on 1/4 in. (6.35mm) centers, includes 1 pattern shim
- 661xx108 Same as above, 1.5mm veins
- 661xx009 Applicator head, 2 in. (50.80mm) pattern width, nine 0.040 veins on 1/4 in. (6.35mm) centers, includes 1 pattern shim
- 661xx109 Same as above, 1.5mm veins
- 661xx010 Applicator head, 2-1/4 in. (57.15mm) pattern width, ten 0.040 veins on 1/4 in. (6.35mm) centers, includes 1 pattern shim
- 661xx110 Same as above, 1.5mm veins
- 661xx011 Applicator head, 2-1/2 in. (63.50mm) pattern width, eleven 0.040 veins on 1/4 in. (6.35mm) centers, includes 1 pattern shim
- 661xx111 Same as above, 1.5mm veins
- 661xx012 Applicator head, 2-3/4 in. (69.85mm) pattern width, twelve 0.040 veins on 1/4 in. (6.35mm) centers, includes 1 pattern shim
- 661xx112 Same as above, 1.5mm veins

0.040 veins on 1/4-in. (6.35mm) centers - Pattern width = 1-in. (25.40mm)



Applicator Head (661xx005) Bottom View



# 900 Series Valves

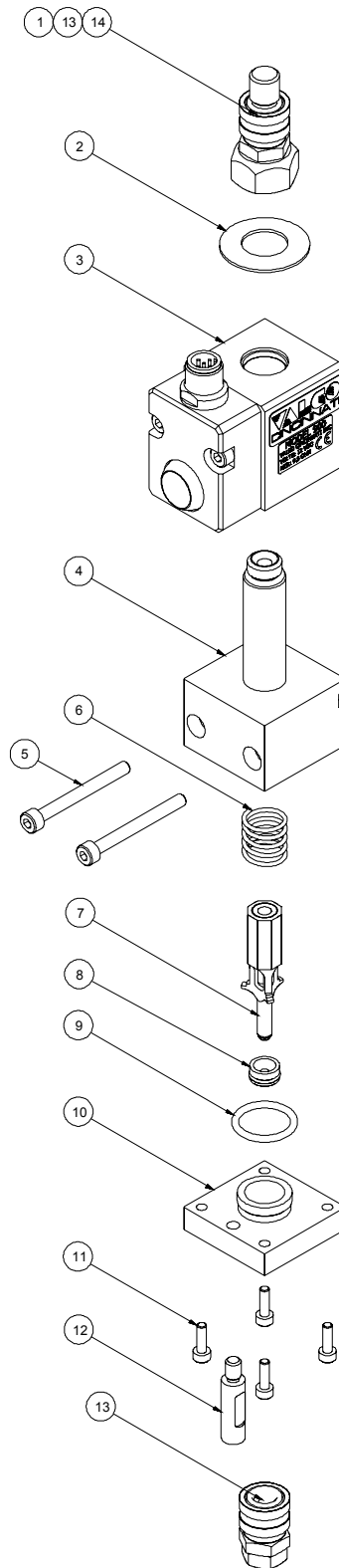
DS054

## Replacement Parts

Item	Qty	Part No.	EP Part No.	Description
1	1	752xx035	752xx045	Disconnect adapter w/ male stopper (750xx013)
2	1	783xx043		Spring washer
3	1	704xx872		Solenoid assy, 900, w flux washer (704xx872)
4	1	704xx873	707xx610	Valve body assy, 900, w/ O-ring - Item 4a
4a	1	745xx184	746xx169	O-ring
5	2	784xx136		Screw
6	1	783xx042		Spring, 900
7	1	707xx580		Plunger assy, 900, 4mm ball
8	1	707xx462		Seat Insert Assy, w/O-ring - Item 8a (746xx069)
9	1	745xx007	746xx170	O-ring
10	1	704xx878		Seat adapter, 900
11	4	784xx112		Screw
12	1	704xx880		Stand-off, 900
13	1	750xx005	752xx047	Swivel disconnect
14	1	750xx013		Male Stopper

## Common Connector Cables

030xx624	Connector cable, 2m (6.6-ft) w/ M12
030xx625	Connector cable, 4m (13-ft) w/ M12
030xx626	Connector cable, 8m (26-ft) w/ M12
030xx741	Connector cable, 10m (33-ft) w/M12
030xx882	Connector cable, 10m (33-ft) w/ flying leads on control end



## Repair Kit 707xx443

Item	Qty	Part No.	Description
2	1	783xx043	Spring washer
4a	1	745xx184	O-ring
5	2	784xx136	Screw
6	1	783xx042	Spring, 900
8a	1	746xx069	O-ring
9	1	745xx007	O-ring
11	4	784xx112	Screw
13	1	750xx005	Swivel disconnect

## Repair Kit 707xx628

Item	Qty	Part No.	Description
1	1	783XX043	Spring washer
2	2	784XX136	Screw
3	1	783XX042	Spring washer
4	1	746XX170	O-ring
5	4	784XX112	Screw
6	1	752XX040	Quick Disc. Adapter
7	1	746XX169	O-ring
8	1	746XX171	O-ring
9	1	DS054	Data Sheet, 900 Va
10	1	782XX339	Label, EP Seals

## Maintenance Kit for 900 Series Valves, Viton

704xx968 Maintenance Kit includes grease, nozzle drill, plunger, seat insert, O-rings, flushing adapter, and disconnect fittings

## Maintenance Kit for 900 Series Valves, EP

707xx630 Maintenance Kit includes grease, nozzle drill, plunger, seat insert, O-rings, flushing adapter, and disconnect fittings

## BoardRunner Glue Station

The 900 Series valve is most commonly used with the BoardRunner glue station. The BoardRunner glue station is designed for installation on corrugated-box making machines (flexo folder/glue). Contact Valco for other bracket packages.

582xx538	BoardRunner Glue Station
----------	--------------------------

582xx778	BoardRunner Glue Station, tab side
----------	------------------------------------

Please visit <http://www.valcomelton.com/flexoseal.htm> for more information on the BoardRunner.